

PSB



特点 & 应用 FEATURES & APPLICATIONS

德国进口，国际标准OIML R60 C3
 优质合金钢/不锈钢，胶封防护等级IP68；
 结构紧凑，配件选用不倒翁；
 固定、移动和半移动三种结构，允许容器产生微量变形；
 支撑螺栓，防止设备倾覆且方便维护；
 多种安装方式，可径向，切向、矩形安装。
 适用于料斗秤，料箱秤和料仓秤；
 各类电子称重设备及力测试设备。

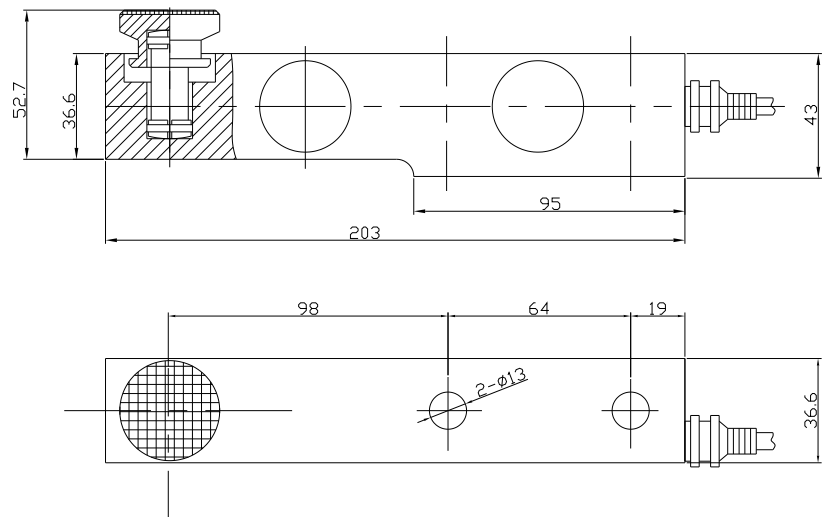
Features:

Alloy steel or Stainless steel, silicon sealed or welded seal;
 Compact design, Tumble support;
 Two types of accessories: adjustable support feet or steel ball head;
 Three types of construction: fixed, shiftable and semi-shiftable, tiny container;
 Deformation is allowed for support bolt, anti-overturn and easy maintenance.
 Suitable for most installations: Vertical, horizontal and rectangular.
 Made in German, OIML R60 C3 approval;
 Protection class: IP68

Applications:

Used for Tank, bin and hopper weighing;
 Suitable for most electronic weighing and force testing.

尺寸图 DIMENSIONS



接线说明 CABLE COLOUR CODE

绿色输入正(+Exc)	Green
黑色输入负(-Exc)	Black
白色输出正(+Sig)	White
红色输出负(-Sig)	Red
黄色反馈正(+Sen)	Yellow
蓝色反馈负(-Sen)	Blue

技术参数 SPECIFICATIONS

精度等级 Accuracy class	C3 0.02
输出灵敏度 Output sensitivity	$2.0 \pm 0.002 \text{ mV/V}$
非线性 Nonlinearity	0.02% F.S
滞后误差 Hysteresis	0.02% F.S
重复性误差 Repeatability	0.02% F.S
蠕变 Creep	0.02% F.S/30min
零点温度漂移 Temp. Effect on zero	0.02% F.S/10°C
灵敏度温度漂移 Temp. Effect on output	0.02% F.S/10°C
零点输出 Zero output	$\pm 1\% \text{ F.S}$
输入阻抗 Input Resistance	$400 \pm 20 \Omega$

输出阻抗 Output Resistance	$351 \pm 2 \Omega$
绝缘阻抗 Insulation Resistance	$\geq 5000 \text{ M}\Omega (100 \text{ VDC})$
温度补偿范围 Compensated Temp. Range	$-10 \sim +40^\circ \text{C}$
允许使用温度范围 Operation Temp. Range	$-20 \sim +65^\circ \text{C}$
推荐激励电压 Recommended excitation voltage	$10 \sim 15 \text{ V(DC/AC)}$
允许激励电压 Acceptable excitation voltage	$6 \sim 18 \text{ V(DC/AC)}$
安全超载 Safe overload capacity	150% F.S
极限过载 Mechanical failure	300% F.S
防护等级 Sealed standard	IP68
电缆线长度 Cable Length	500 ~ 3000kg 5m